

MODEL: BERNINA LUX PLUS ASSEMBLY INSTRUCTIONS

2/22/24

1. UNPACKING CABINET

AFTER OPENING CARTON REMOVE
BOTTOM CORNER PIECES ONLY.
LEAVE FOAM SPACER TRAY.

WITH THE HELP OF ANOTHER PERSON,
SLOWLY LOWER BACK OF CABINET ONTO
FLOOR AND THEN ROTATE UPRIGHT
AS SHOWN IN FIGURE #1A.

LIFT CARTON OFF OF CABINET. LIFT
CABINET OFF OF FOAM SPACER TRAY
AS SHOWN IN FIGURE #1B

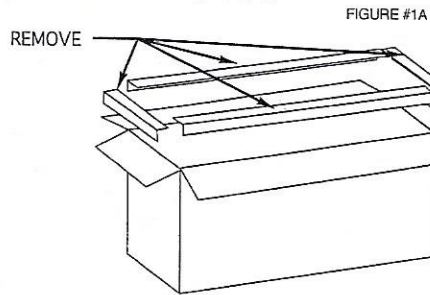
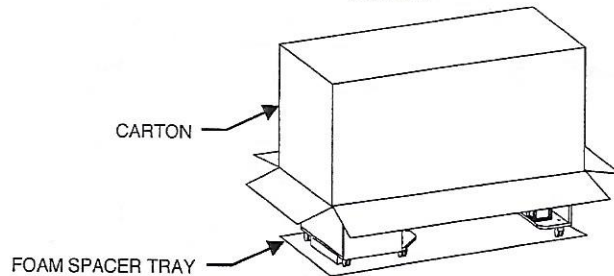


FIGURE #1B



2. ROUTE ELECTRIC CORD AND REMOVE FILLER PANEL

PULL OUT WIRING GROMMET
AND ROUTE POWER CORD THROUGH HOLE.
PUSH WIRING GROMMET BACK IN PLACE.
PLUG POWER CORD INTO POWER OUTLET.
REMOVE FILLER PANEL BY REMOVING TAPE
STRIPS WHEN UNPACKING.
TO REMOVE INSERT/FILLER PANEL FROM
TOP, PUSH UP FROM BOTTOM SIDE AS
SHOWN IN FIGURE #2.

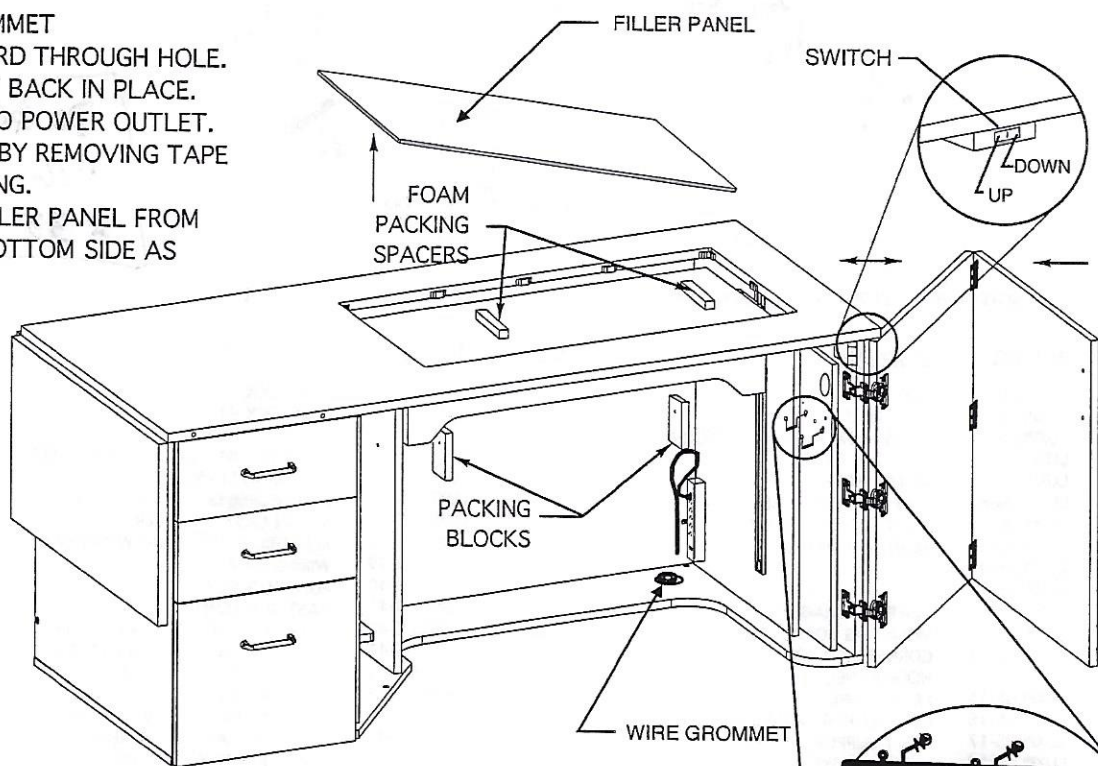


FIGURE #2

3. REMOVE PACKING FROM ELECTRIC LIFT

REMOVE 2 PACKING BLOCKS LOCATED
UNDER LIFT BY REMOVING SCREWS.
USE SWITCH AND LOWER PLATFORM.
REMOVE 2 FOAM PACKING SPACERS
AND DISCARD AS SHOWN IN FIGURE #2.

SCREW 2-HANGER HOOKS INTO PRE-DRILLED
HOLES ON EMB. UNIT PULL-OUT TO HOLD HOOP. AS
SHOWN IN FIGURE #3.

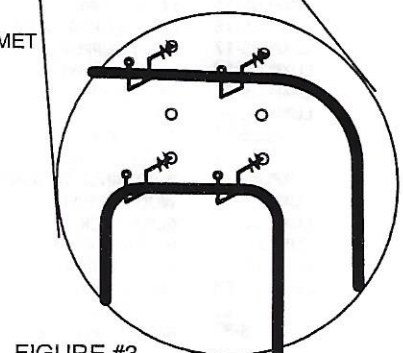


FIGURE #3

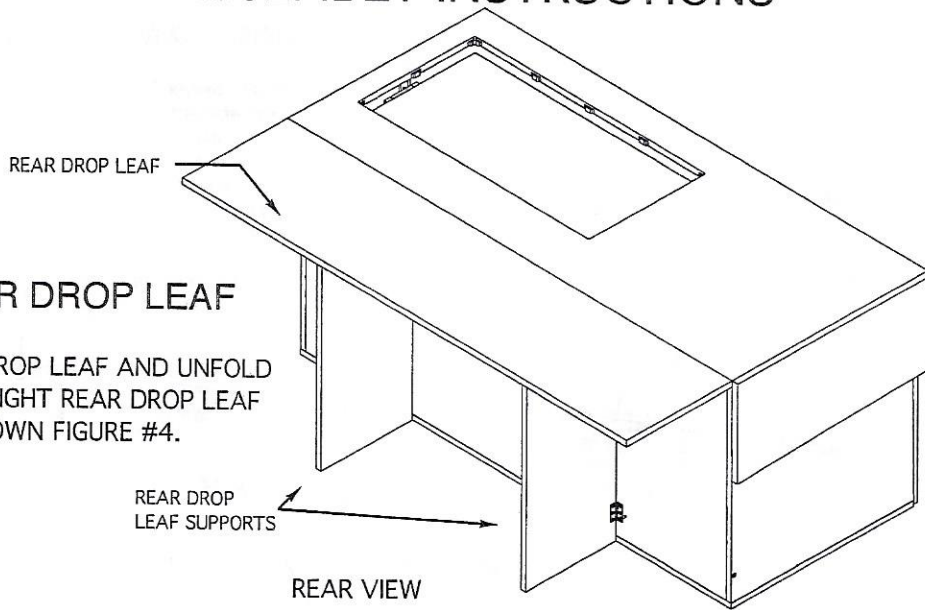
MODEL: BERNINA LUX PLUS ASSEMBLY INSTRUCTIONS

2/22/24

FIGURE #4

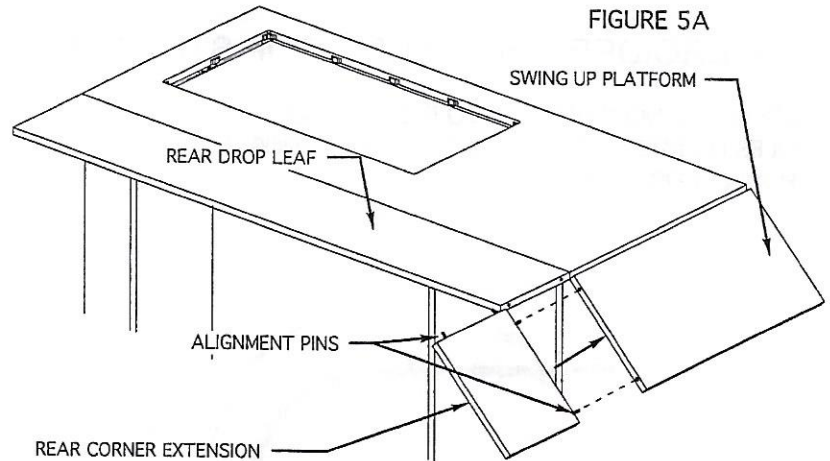
4. OPEN REAR DROP LEAF

SWING UP REAR DROP LEAF AND UNFOLD BOTH LEFT AND RIGHT REAR DROP LEAF SUPPORTS AS SHOWN FIGURE #4.

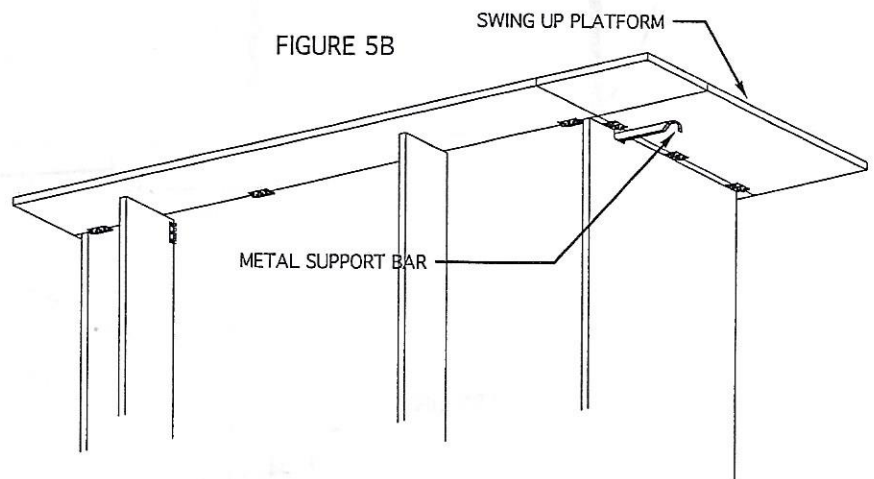


5. INSTALLING REAR CORNER EXTENSION

LIFT SWING UP PLATFORM SLIGHTLY AND ALIGN REAR CORNER EXTENSION SO THAT 2 PINS FACE SWING UP PLATFORM AND 2 PINS FACE REAR DROP LEAF AS SHOWN IN FIGURE #5A.



LIFT SWING UP PLATFORM AND REAR CORNER EXTENSION UP COMPLETELY. PULL OUT METAL SUPPORT BAR AS SHOWN IN FIGURE #5B

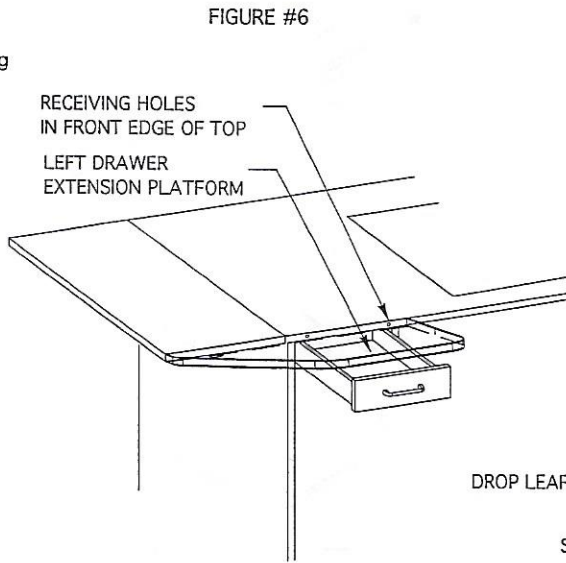


MODEL: BERNINA LUX PLUS ASSEMBLY INSTRUCTIONS

2/22/24

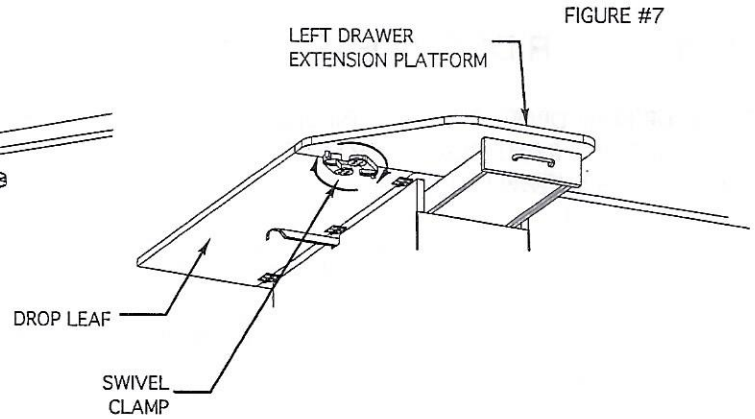
6. INSTALLING LEFT AND RIGHT DRAWER EXTENSION PLATFORMS

Align pins on back edge of Left and Right Drawer Extension Platforms to Receiving Holes on Front Edge of Top. Lower Left and Right Drawer Extension Platforms onto drawer front while aligning pins to Receiving Holes on Top Edge of Drawer Front as shown in Figure #6. The Drawer Extension Platforms fit tightly into the receiver holes. When installing use fingers to pull on drawer face and thumbs to push back and down on Drawer Extension Platform until pins go into place.



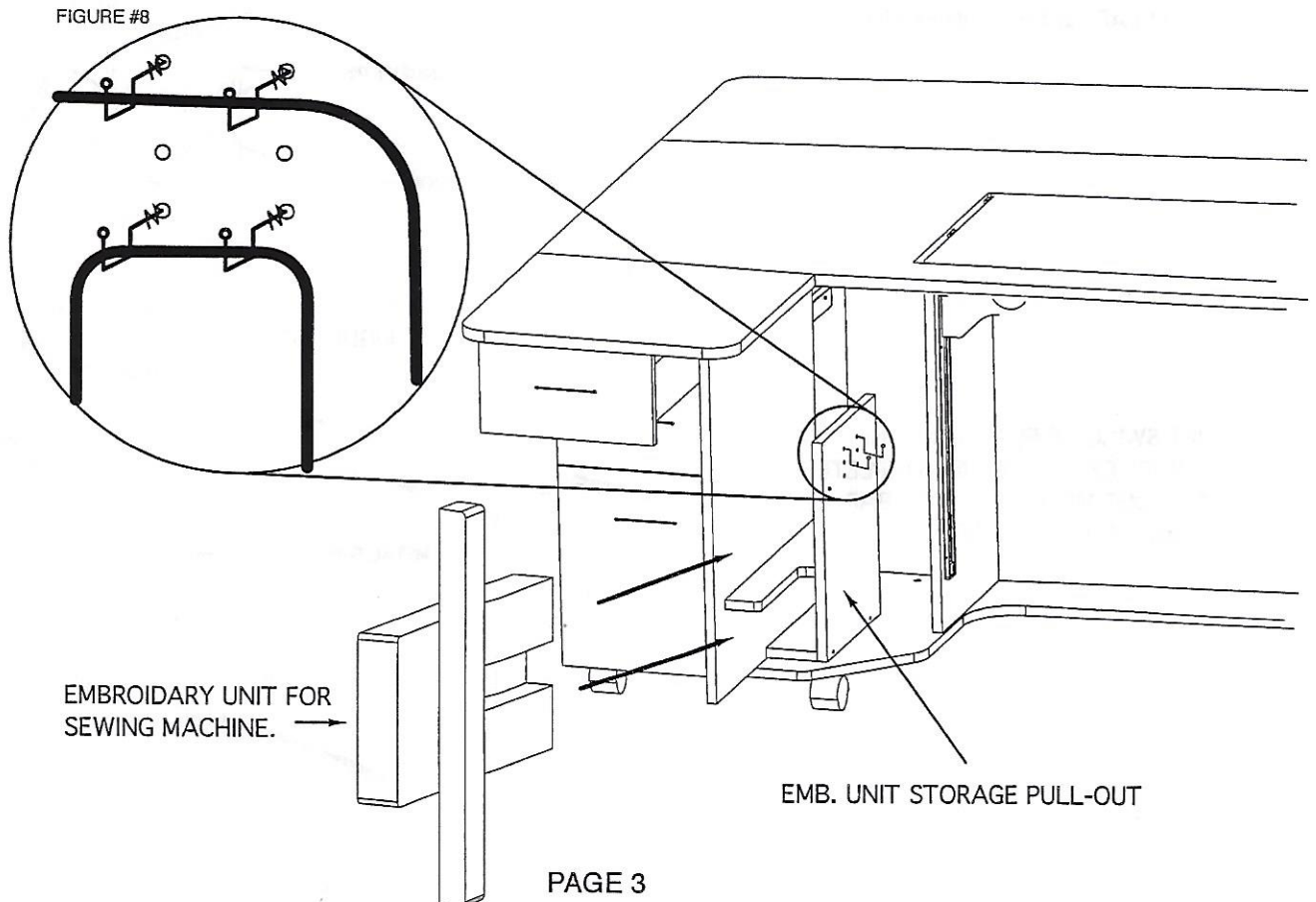
7. CONNECT SWIVEL CLAMPS

Rotate Swivel Clamps clockwise until each one snaps into position as shown in Figure #7. This locks the Drop Leaf to the Left and Right Drawer Extension Platforms.



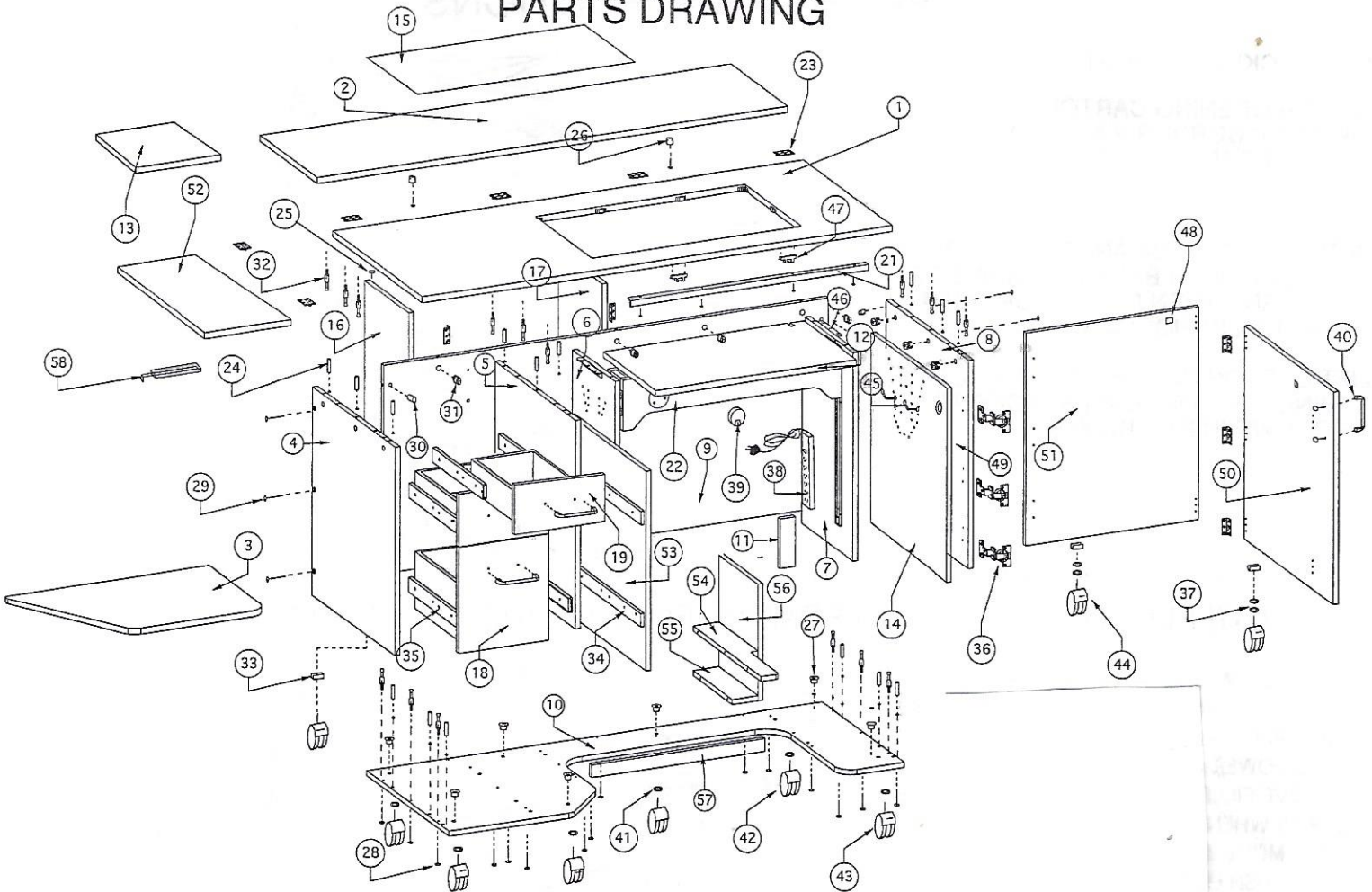
8. EMBROIDERY UNIT AND HOOP STORAGE

SCREW 2-HANGER HOOKS INTO PRE-DRILLED HOLES ON EMB. UNIT PULL-OUT TO HOLD HOOP. AS SHOWN IN FIGURE #8.



MODEL: BERNINA LUX PLUS PARTS DRAWING

3/11/2024



NOTE: WHEN ORDERING REPLACEMENT PARTS, PLEASE SPECIFY PART NUMBER _____ AND COLOR _____ .

PART NO.	DESCRIPTION	QTY. REQ.	PART NO.	DESCRIPTION	QTY. REQ.
LUXPLUS-1	TOP	1	LUXPLUS-31	CAM LOCK	18
LUXPLUS-2	DROP LEAF	1	LUXPLUS-32	CAM LOCK PIN	18
LUXPLUS-3	DRAWER EXTENSION PLATFORM	1	LUXPLUS-33	CASTER "U" BRACKET	2
LUXPLUS-4	LEFT SIDE PANEL	1	LUXPLUS-34	100# 450MM DRAWER GUIDE (1 SET)	2
LUXPLUS-5	MIDDLE PANEL	1	LUXPLUS-35	SC 400MM DRAWER GUIDES (1 SET)	3
LUXPLUS-6	LEFT LIFT SIDE PANEL	1	LUXPLUS-36	270 DEGREE DOOR HINGE W/SCREWS	3
LUXPLUS-7	RIGHT LIFT SIDE PANEL	1	LUXPLUS-37	NYLON CASTER SPACER	4
LUXPLUS-8	RIGHT SIDE PANEL	1	LUXPLUS-38	ELECTRIC POWER STRIP W/SCREWS	1
LUXPLUS-9	BACK PANEL	1	LUXPLUS-39	WIRING GROMMET	1
LUXPLUS-10	BOTTOM PANEL	1	LUXPLUS-40	PULL W/SCREWS	4
LUXPLUS-11	INSERT STORAGE CLEAT	1	LUXPLUS-41	CASTER WASHER	7
LUXPLUS-12	MOUNTING BOARD	1	LUXPLUS-42	5/16" THREAD NON-LOCK CASTER	4
LUXPLUS-13	CORNER EXTENSION	1	LUXPLUS-43	5/16" THREAD LOCKING CASTER	3
LUXPLUS-14	HOOP PANEL	1	LUXPLUS-44	PUSH IN LOCKING CASTER	3
LUXPLUS-15	FILLER PANEL	1	LUXPLUS-45	HOOP HOOKS	6
LUXPLUS-16	LEFT SUPPORT PANEL	1	LUXPLUS-46	6" METAL BRACKET W/ SCREWS	2
LUXPLUS-17	RIGHT SUPPORT PANEL	1	LUXPLUS-47	MAGNETIC CATCH W/SCREWS	2
LUXPLUS-18	LARGE DRAWER	1	LUXPLUS-48	STRIKE PLATE W/SCREWS	2
LUXPLUS-19	MEDIUM DRAWER	2	LUXPLUS-49	FINGER PULL	1
LUXPLUS-20	MAGNETIC TRAY	1	LUXPLUS-50	LEFT PULL DOOR	1
LUXPLUS-21	TOP SUPPORT RAIL W/SCREWS	1	LUXPLUS-51	RIGHT HINGE DOOR	1
LUXPLUS-22	REFER TO MODEL 14 PAPER	1	LUXPLUS-52	SWING-UP PLATFORM	1
LUXPLUS-23	BUTT HINGE W/SCREWS	13	LUXPLUS-53	LEFT EMB. SLIDE OUT	1
LUXPLUS-24	WOOD DOWEL	32	LUXPLUS-54	TOP EMB. STORAGE SHELF	1
LUXPLUS-25	GLIDE TACK	2	LUXPLUS-55	BOTTOM EMB. STORAGE SHELF	1
LUXPLUS-26	NYLON STOP W/SCREW	3	LUXPLUS-56	EMB. STORAGE FACE	1
LUXPLUS-27	5/16" THREAD INSERT NUT	7	LUXPLUS-57	FOOT PEDAL GUARD RAIL	1
LUXPLUS-28	SCREW #8 X 1 1/8"	26	LUXPLUS-58	LEAF SUPPORT SLIDE	1
LUXPLUS-29	2" CONNECTOR BOLT	6			
LUXPLUS-30	BARREL NUT 5/8"	6			